

NanoPro-Tech™ Compound

Patented NanoPro-Tech polymer technology limits energy loss for improved rolling resistance and optimum fuel efficiency.

High Scrub Tread Compound

Enhances resistance to tread scrubbing, leading to increased tread life.

Wide, Solid Shoulder Ribs

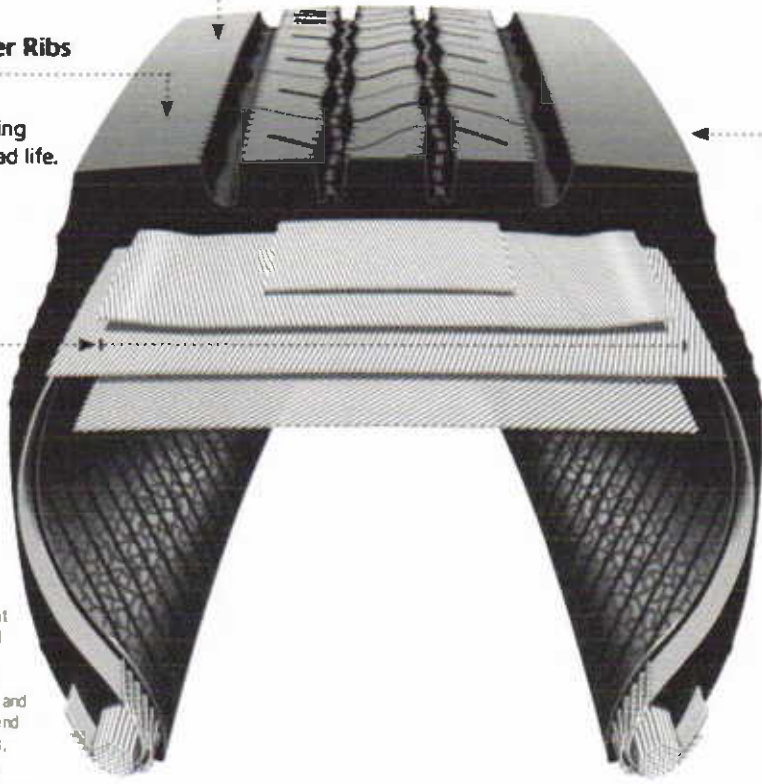
Help deliver enhanced resistance to maneuvering scrub and increased tread life.

Sidewall Rib Protectors

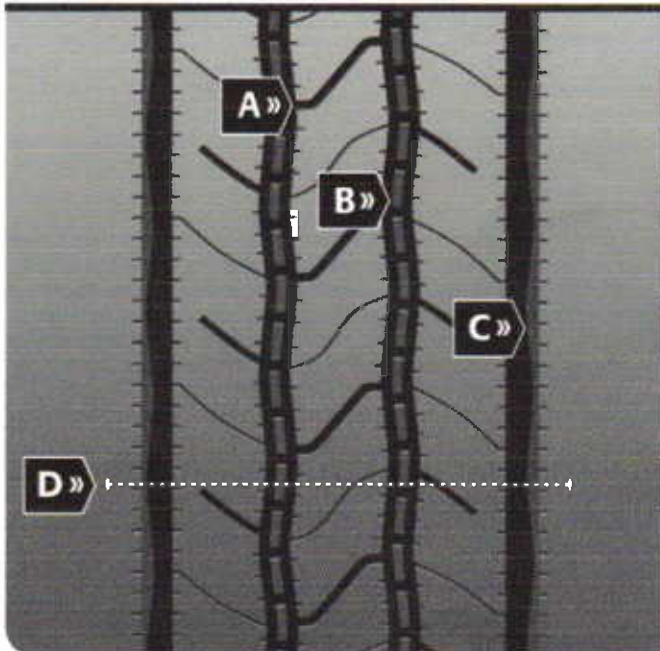
Preserve casing durability by fighting curbing damage with thick ribs on both sidewalls.

Wider Belts

Wide belts extend to the shoulder area, which helps to reduce the occurrence of both irregular shoulder wear and casing damage.



- Based on rolling resistance and field mileage tests, Bridgestone Ecopia and Bandag FuelTech are our most fuel-efficient and lowest total cost of ownership tire and retread solution. Combining proprietary low rolling resistance technology with the industry's most retreadable casing, Ecopia and FuelTech can help reduce fuel use and extend tire life for lower costs and greener returns, when compared to other Bridgestone tires.
- BASys® data from over two million Bridgestone, Goodyear and Michelin brand casings recorded between June 2009 and November 2010 prove that Bridgestone had the lowest percentage of tires that could not be retreaded due to conditions relating to casing construction.



- A Special Groove Shape**
Designed for improved rib tearing resistance.
- B Stone Rejector Platforms**
Help provide resistance to stone drilling in two center grooves to protect belts and enhance casing durability.
- C Waved Channel Design**
A wavy design in the channel reduces groove bottom strain, combating the initiation and spread of irregular wear.
- D Optimized Rib Distribution**
Ribs are uniquely proportioned for added stiffness, which helps reduce irregular wear throughout the footprint.

AUTOTIRE SANTA FE S. A. DE C. V.
R.F.C. ASF-991117-4E0
TEL. 53396336 y 52574600
Vasco de Quiroga No. 1674
Col. Santa Fe C.P. 01210



BRIDGESTONE
Your Journey. Our Passion

R283 Ecopia®

Fuel-Efficient All-Position Radial



- Optimizes fuel efficiency by combining a low rolling resistance tread and casing design with energy saving proprietary sidewall compounds.
- Fights irregular wear with triple Equalizer Rib™ design and Defense Side Groove™ feature.
- Maximizes removal mileage and irregular wear resistance with a wider, deeper tread and proprietary shoulder design.

Recommended Application

An all-position radial recommended for steer applications in:
Long Haul Service / Regional Haul Service

Replaces: Goodyear: G399A
Michelin: XZA3+

EPA SmartWay verified
and CARB compliant.

TECHNICAL DATA

Tire Size	Load Range	Material Number	Weight (lbs.)	Meas. Rim	Overall Diam.	Overall Width	Static Loaded Radius	Overall Width (Loaded)	Revs Per Mile	Tread Depth (.32")	Max. Tire Load (Single)		Max. Tire Load (Dual)		Max. Speed (MPH)
											Kg/kPa	Lbs/PSI	Kg/kPa	Lbs/PSI	
R283 Ecopia®															
11R22.5	G	233-415	119	8.25	41.2	11.2	19.2	12.3	504	18	2800@720	6175@105	2650@720	5840@105	75
11R22.5	H	244-261	120	8.25	41.2	11.2	19.2	12.3	504	18	3000@830	6610@120	2725@830	6005@120	75
11R24.5	G	233-432	127	8.25	43.2	11.2	20.2	12.3	480	18	3000@720	6610@105	2725@720	6005@105	75
11R24.5	H	250-398	128	8.25	43.2	11.2	20.2	12.3	480	18	3250@830	7160@120	3000@830	6610@120	75
295/75R22.5	G	233-381	114	8.25	40.3	11.4	18.8	12.5	516	18	2800@760	6175@110	2575@760	5675@110	75
295/75R22.5	H	900-590	115	8.25	40.3	11.4	18.8	12.5	516	18	3250@830	7160@120	3000@830	6610@120	75
285/75R24.5	G	233-398	119	8.25	41.4	11.1	19.4	12.2	502	18	2800@760	6175@110	2575@760	5675@110	75
285/75R24.5	H	001-307	119	8.25	41.5	10.8	19.5	11.9	501	18	3075@830	6780@120	2800@830	6175@120	75

- All dimensions taken with tire on measuring rim.
- Loaded dimensions and RPM measured at maximum dual load.
- For load and inflation tables see pages 103 through 108.
- For minimum dual spacing and approved rim widths see page 86.
- For ply ratings see table on page 84.

• Based on rolling resistance and field mileage tests, Bridgestone Ecopia and Bandag FuelTech are our most fuel-efficient and lowest total cost of ownership tire and retread solution. Combining proprietary low rolling resistance technology with the industry's most retreadable casing, Ecopia and FuelTech can help reduce fuel use and extend tire life for lower costs and greener returns, when compared to other Bridgestone tires.

• BASys® data from over two million Bridgestone, Goodyear and Michelin brand casings recorded between June 2009 and Nov 2011 shows that Bridgestone had the lowest percentage of tires that could not be retreaded due to conditions relating to casing construction.

Bridgestone tires and tubes are subject to an ongoing development program. Bridgestone Americas Tire Operations, LLC retains the right to amend specifications at any time without notice or obligations. Please refer to rim manufacturer's load and inflation limits. Never exceed rim manufacturer's limits without the consent of the component manufacturer.

AUTOPRE SANTA FE S. A. DE C. V.
TEL. 53396336 y 52574600
Visco de Quiroga No. 1674
C.P. 01210



BRIDGESTONE
Your Journey. Our Passion

R227F

All-Position Radial

- Directional pattern and high-performance tread compound for long wear and reliable wet traction.
- Sidewall protectors for extra protection from curb damage.
- Defense Groove™ and Equalizer Rib™ features combat the initiation and spread of irregular wear.
- Stress relief sipes fight the initiation and spread of irregular wear on the main ribs by absorbing rib edge stresses within the footprint.

Recommended Application

An all-position radial tire recommended for steering applications in:
Long Haul Service / Regional Haul Service

Replaces: Michelin: XZA, XZE2+

TECHNICAL DATA

Tire Size	Load Range	Material Number	Weight (lbs.)	Meas. Rim	Overall Diam.	Overall Width	Static Loaded Radius	Overall Width (Loaded)	Revs Per Mile	Tread Depth (3Z)	Max. Tire Load (Single)		Max. Tire Load (Dual)		Max. Speed (MPH)
											Kg/kPa	Lbs/PSI	Kg/kPa	Lbs/PSI	
R227F															
285/70R19.5	H	158-135	93	8.25	35.3	10.6	16.3	11.6	588	17	2900@860	6395@125	2725@860	6005@125	75
305/70R19.5	J	158-948	120	9.00	36.3	11.9	16.7	13.0	572	18	3150@860	6945@125	2900@860	6395@125	75

- All dimensions taken with tire on measuring rim.
- Loaded dimensions and RPM measured at maximum dual load.
- For load and inflation tables see pages 103 through 108.
- For minimum dual spacing and approved rim widths see page 86.
- For ply ratings see table on page 84.

AUTOTIRE SANTA FE S. A. DE C. V.
R.F.C. ASF-991117-4E0
TEL. 53396336 y 52574600
Vasco de Quiroga No. 1674
Col. Santa Fe C.P. 01210

Bridgestone tires and tubes are subject to an ongoing development program. Bridgestone Americas Tire Operations, LLC retains the right to amend specifications at any time without notice or obligations. Please refer to rim manufacturer's load and inflation limits. Never exceed rim manufacturer's limits without the consent of the component manufacturer.



T-494

- Banda de rodamiento con 5 costillas y 4 ranuras profundas, para un buen manejo en caminos secos y mojados.
- Moldes con alta relación aspecto, para evitar rozamientos en posiciones duales.
- Arco de banda más plano y hombros redondos, proporcionando una huella de pisada más ancha para una mejor tracción.

DATOS TÉCNICOS

#	MEDIDA	P.R.	ANCHO DE RIN (pulgadas)	DIÁMETRO TOTAL (mm)	ANCHURA TOTAL (mm)	RADIO ESTÁTICO CARGADO (mm)	REVE. POR (mm)	DEBILLO ORIGINAL (mm)
---	--------	------	-------------------------	---------------------	--------------------	-----------------------------	----------------	-----------------------

T - 494								
460	7.00 - 15	S/C 6 / C	5.50	752	203	348	437	11.5
461	7.50 - 17	C/C 8 / D	6.00	859	215	383	382	13.5
471	7.50 - 17	C/C 10 / E	6.00	859	215	383	382	13.5
569	LT225/95 - 17	S/C 10 / D	6.00	859	215	383	382	13.5
466	LT225/95 - 17	S/C 8 / D	6.00	859	215	383	382	13.5

AUTOTIRE SANTA FE S. A. DE C. V.
 R.F.C. ASF-991117-4E0
 TEL. 53396336 y 52574800
 Vasco de Quiroga No. 1674
 Col. Santa Fe C.P. 01210



TRANSFORCE AT² Commercial

*LONG-AND REGIONAL-HAUL
All-Position Radial*

ALL-TERRAIN PERFORMANCE FOR COMMERCIAL USE

The Firestone Transforce AT2 tire delivers all-terrain performance for the class 4-5 commercial vehicles. Aggressive tread design with multiple tread edge elements promote wet traction, along with 3 peak mountain snow flake mark certified for the winter traction performance. Pattern features combined with an innovative tread-to-road contact footprint help retain performance over the course of the tire service life.

Wherever the job is, depend on
Firestone to get you there.

Firestone

TRANSFORCE AT² Commercial FEATURES & BENEFITS



A

OPTIMIZED AT2 TREAD DESIGN IN COMMERCIAL TIRE

maximize the balance of wear and traction performance in all weather condition

B

MULTIPLE GRIPPING EDGES

provide biting edges that help promote wet traction

C

PATTERN FEATURES COMBINED WITH AN INNOVATIVE TREAD-TO-ROAD CONTACT FOOTPRINT

help retain performance over the course of the tire service life

AUTOTIRE SANTA FE S. A. DE C. V.
R.F.C. ASP-991117-4E0
TEL. 53396338 y 52574600
En Quiroga No. 1674
Col. Santa Fe C.P. 01210

Don Jose Morice Ramirez



AGGRESSIVE TREAD DESIGN

features multiple tread edges to promote wet traction

HIGH SCRUB TREAD COMPOUND

enhances resistance to tread scrubbing, leading to increased tread life

CAP/BASE COMPOUNDING

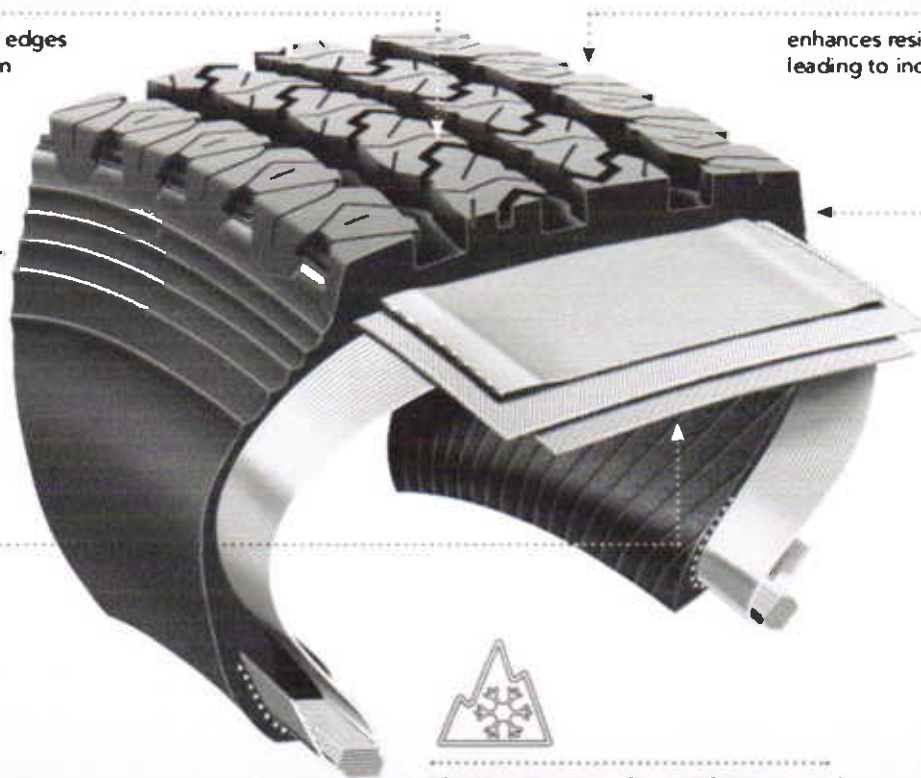
combines a slow-wearing cap compound with a cool-running base that shields the casing from damaging heat to enhance retreadability

SIDEWALL PROTECTOR RIBS

preserve casing durability by fighting curbing damage with thick ribs on both sidewalls

WIDER BELTS

wide belts extend to the shoulder area, which helps reduce the occurrence of both irregular shoulder wear and casing damage



The Firestone Transforce AT² Commercial meets 3 Peak Mountain Snow Flake (3PMSF) criteria for snow traction performance.

225/70R19.5
ARTICLE #004196
Now **N SPEED RATED**
up to 87 mph for class
4 & 5 vehicles.

TRANSFORCE AT ² Commercial Tire Size	Load Range	Article Number	Weight (lb/kg)	Meas. Rim (in)	Overall Diameter (in/mm)	Overall Width (in/mm)	Static Loaded Radius (in/mm)	Overall Width Loaded (in/mm)	Stax (mm)	Tread Depth (32° angle)	Max Load Capacity		Inflation Pressure (PSI/kPa)	Max Speed (mph/kph)
											Single (lb/kg)	Dual (lb/kg)		
225/70R19.5 metric	F	004195	66/30	6.00	32.4/823	8.7/221	15.1/384	9.5/241	640/398	19/15	3640/1650	3415/1550	95/660	75/120
225/70R19.5 metric	G	004196	66/30	6.00	32.4/823	8.7/221	15.1/384	9.5/241	640/398	19/15	3970/1800	3750/1700	110/760	87/140
245/70R19.5 metric	G	004197	82/37	6.75	33.5/851	9.3/235	15.7/399	10.3/262	620/365	18/14	4540/2050	4300/1950	110/760	75/120

Warranty and additional technical information is available at FirestoneTruckTires.com, or from your dealer or truck stop.

DEPENDABLE. DURABLE. GUARANTEED.*

At Firestone, we back up our promises so you never have to back down on yours. That's why we guarantee the durability and dependability of our tires with an unparalleled 90 day buy-and-try guarantee.

See your Firestone Sales Representative for details.

*Certain conditions and limitations apply.





neumáticos para camión

FS 557

Camión Radial



medida



línea



presión máx.
libras y
pulgadas



índice de carga



largo máx. por
neumático (1 plg.
3 metros / 3 pies)



velocidad
máx. (km/h)



ancho de banda
(pulgadas)



ancho máx.
(mm)



dámetro ext.
(mm)

Datos técnicos

10 00 R 20	16	115	146/143	3 000	2 725	(L)	120	7 750	2 71	1 055
11 00 R 20	16	120	150/146	3 350	3 000	(L)	120	8 00	286	1 080
11 00 R 22	16	120	150/146	3 350	3 000	(L)	120	8 00	286	1 131

Características y beneficios

Neumático radial de acero.

Su banda de rodamiento provee excelente estabilidad direccional sobre piso húmedo.

Para toda posición sobre pavimento.



LITORAL SANTA FE S. A. DE C. V.
 ILPA - ASF-091 117-4E0
 TEL: 51 066330 y 52574600
 Vía de Quiroga No. 1674
 Cdo. Santa Fe C.P. 01210

Juan José López Ramírez



neumáticos para camión

FS 511

Camión Radial



medida



línea



presión máx.
libras y
kilogramos



índice de carga



longi. máx. por
neumático (kg
empies / duales)



velocidad
máx. / máx. km/h



ancho de banda
(ancho de la
carretera)



ancho máx.
(cm)



dámetro ext.
(cm)

Datos técnicos

275/80 R 22.5	16	120	148/145	3 150	2 900	EU	120	8.25	276	1 012
295/80 R 22.5	16	115	150/146	3 350	3 000	EU	120	9.00	298	1 044

Características y beneficios

Neumático radial de acero sin cámara de perfil bajo (serie 80). El diseño de su banda de rodadura de 4 canales, provee excelente expulsión de agua.

Ideal para camiones y ómnibus, se adaptan a todos los ejes. Uso en carreteras y áreas urbanas.



AUTOTIRE SANTA FE S. A. DE C. V.
R.F.C. ASF-991117-4E0
TEL. 53396336 y 52574600
Vasco de Quiroga No. 1674
Col. Santa Fe C.P. 01210

Juan José Ortiz Ramírez

G665™

La llanta de toda posición para Servicio Regional y urbano fabricada bajo el proceso de la Tecnología Duralife™.



CARACTERÍSTICAS

Construcción radial de una capa de acero y con 4 cinturones de acero con la configuración de la tecnología Duralife®.

Construcción especial en los hombros.

Nuevo diseño del área de ceja.

Amplia banda de rodamiento.

Diseño de dibujo profundo.

Protectores de penetración al fondo de las ranuras.

BENEFICIOS

Favorece la resistencia del armazón, incrementa el kilometraje y mejora la renovabilidad.

Ayuda a resistir los daños ocasionados por frenado y aceleración constante.

Facilita la maniobra de montaje/desmontaje y mejora la fijación al rin.

Gran durabilidad aun bajo condiciones de frenado y arranques constantes.

Ofrece más kilómetros antes de su renovado.

Evita la perforación por piedras, pues facilita su desalojo.



Posición recomendada.

Medida	Rango de carga	Carga máxima eje sencillo	Presión máxima eje sencillo	Carga máxima eje dual	Presión máxima eje dual	Ancho de rin	Ancho de sección	Dímetro total	Radio estático con carga	Profundidad de piso	Espacio mínimo entre duals	Velocidad
		Kg	psi Kpa	Kg	psi Kpa	Pulg.	mm	mm	mm	mm	mm	Km/h
11R22.5	H	3150	125 830	2900	125 860	8.25	279	1054	493	308	17.5	100
275/80R22.5	H	3250	125 860	3000	125 860	8.25	276	1012	478	319	17.5	100
295/80R22.5	H	3550	125 860	3150	125 860	9.00	298	1044	491	309	17.5	110

AUTOTIRE SANTA FE S. A. DE C. V.
R.F.C. ASF-991117-4E0
TEL. 53306336 y 52574600
Vasco de Quiroga No. 1674
Col. Santa Fe C.P. 01210

Nota: Las llantas GOODYEAR están sueltas a un programa de desarrollo continuo. GOODYEAR Servicios Comerciales, S. de R.L. de C.V. se reserva el derecho a cambiar las especificaciones de producto en cualquier momento sin justificación u obligación previa alguna.

Juan José Horta Ramirez

KMAX EXTREME

Llanta direccional con capacidad para toda posición en servicios dentro de carreteras, calles pavimentadas y caminos sinuosos.



CARACTERISTICAS

- Tecnología INTELLMAX Extreme®.
- Nuevo compuesto de piso.
- Protector de ranura Central.
- Construcción de 4 cinturones de acero.

BENEFICIOS

- Ayuda a obtener mayor kilometraje.
- Favorece el desgaste uniforme para una larga vida de la llanta, mientras le brinda mayor rigidez.
- Ayuda a eyectar las piedras que pudieran quedar atrapadas.
- Brinda rigidez a la banda de rodamiento y asegura una amplia huella de pisada.



Posición Recomendada



Goodyear Real Maxx TSD 201

MEZCLA	ANCHO DE CARGA	CARGA MÁXIMA EJEMPLO	PRESIÓN MÁXIMA EJEMPLO	CARGA MÁXIMA EJEMPLO	PRESIÓN MÁXIMA EJEMPLO	ANCHO DE ROS	ANCHO DE VUELTA	DIÁMETRO TOTAL	BANDO ESPANCO CON CARGA	EX	PRENSIÓN DE PISO	ESPACIO LIBRE ENTRE CUALS	VELOCIDAD		
		kg	psi	kg	psi	in	mm	mm	mm	mm	mm	mm	km/h		
275/80R22.5	16C (H)	3250	125	860	3000	125	860	8.25	284	1022	475	321	17.5	311	100 (J)
295/80R22.5	16C (H)	3550	125	860	3150	125	860	8.25	298	1052	490	312	17.5	335	110 (K)

AUTOTIRE SANTA FE S. A. DE C. V.
 R.F.C. ASF-991117-4E0
 TEL. 53396336 y 52574600
 Vasco de Quiroga No. 1674
 Col. Santa Fe, C.P. 01210

Nota: Las llantas Goodyear están sujetas a un programa de desarrollo continuo. Goodyear Servicios Comerciales, S. de R.L. reserva el derecho a cambiar las especificaciones de producto en cualquier momento sin notificación u obligación previa alguna.

ENDURANCE RSA

Llanta de toda posición con **resistencia** para aplicaciones Regionales y Urbanas.



CARACTERISTICAS

- Tecnología **Intellimax RIB®**.
- Nuevo **diseño de piso**.
- Innovador compuesto **bicapa** en la banda de rodamiento.
- **Ranuras en Zig-Zag**.

BENEFICIOS

- Costillas **centrales inter-ligadas** que logran mayor rigidez y **ayuda al desgaste uniforme**.
- Favorece el **desgaste uniforme** para un mayor kilometraje.
- Ayudan a **mejorar el rendimiento de combustible** y la **resistencia de la llanta**.
- **Facilitan la eyección de piedras** para proteger la **integridad de la carcasa**.



Posición Recomendada



Goodyear Real Max 200-200

TALLERÍA	TANQUE DE CARGA	CARGA MÁXIMA EN SENCILLO	PRESIÓN MÁXIMA EN EL MOLLO		CARGA MÁXIMA EN DUPL	PRESIÓN MÁXIMA EN DUPL		ANCHO DE RIN	ANCHO DE SECCIÓN	DIÁMETRO TOTAL	RADIO ESPACIO CON CARGA	T.P.	PROGRAMADO DE PISO	ESPACIO LIBRE ENTRE DUBLES	VALOR DUB.
		kg	psi	kPa	kg	psi	kPa								
11R22.5	16C (H)	3000	120	830	2725	120	830	8.25	274	1064	498	308	17.5	318	120 (L)
11R24.5	18C (H)	3250	120	830	3000	120	830	8.25	277	1115	523	294	17.5	318	120 (L)
255/70R22.5	16C (H)	2500	120	830	2300	120	830	7.5	254	932	439	352	14.3	287	130 (M)
275/70R22.5	18C (J)	3150	130	900	2900	130	900	7.5	267	965	450	340	15.1	302	120 (L)

Nota: Las llantas Goodyear están sujetas a un programa de desarrollo continuo. Goodyear Servicios Comerciales, S. de R.L. AUTOTIRE SANTA FE S. A. DE C. V. reserva el derecho a cambiar las especificaciones de producto en cualquier momento sin notificación u obligación previa. Tel: 9915 SF-991117-4E0

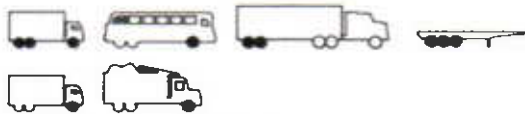
Doncho Abaz Ramirez

ST727

ST717

Utility Series | All Position Rib

- Sumitomo four steel belt casing construction resists punctures, increases vehicle stability and contributes to more retread cycles.
- Application specific tread compound resists the effects of scuffing from sharp turns and promotes long mileage.
- 5-rib design provides better vehicle stability in all weather conditions.



These lines offer many hard to find sizes and ply ratings. Every tire is engineered to be Sumitomo tough

ST727

Product Code	Tire Size	Service Desc.	Load Range / Ply	Prf. Rim Width (inch)	Min. Rim Width (inch)	Single Max Load (lbs)	Dual Max Load (lbs)	IP (PSI)	Overall Diameter (inch)	Section Width (inch)	Min. Dual Spacing (inch)	Skid Depth (in/32")	Static Loaded Radius (inch)	Revs Per Mile	Max Speed (mph)
5530504*	8.25R15	130/128K	G/14	6.50	6.00	4,080	3,860	120	33.1	9.3	10.6	14	15.5	627	68
5530507*	10.00R15	137/135K	G/14	7.50	7.00	5,070	4,805	105	36.1	10.7	12.5	16	16.5	566	68
5530510*	8.25R20	136/134K	G/14	6.50	6.00	4,940	4,675	120	37.9	9.1	10.6	16	17.8	546	68
5530513*	9.00R20	138/136K	F/12	7.00	6.50	5,205	4,940	100	40.1	10.0	11.7	17	18.8	518	68
5530517*	10.00R20	146/143L	H/16	7.50	7.00	6,610	6,005	120	41.2	10.9	12.5	17	19.2	506	75
5530520*	11.00R20	150/147L	H/16	8.00	7.50	7,390	6,780	120	42.5	11.5	13	18	19.9	490	75
5530523*	12.00R20	154/151K	J/18	8.50	8.00	8,270	7,610	120	44.1	11.8	14.2	19	20.6	473	68
5530546	9R22.5	136/134L	G/14	6.75	6.00	4,940	4,675	120	38.1	8.9	10.3	16	17.8	545	75
5530548	10R22.5	141/139L	G/14	7.50	6.75	5,675	5,355	115	40.2	10.0	11.4	16	18.9	515	75
5530552	11R22.5	146/143L	H/16	8.25	7.50	6,610	6,005	120	41.2	10.9	12.6	17	19.3	504	75
5530555	12R22.5	150/147M	H/16	9.00	8.25	7,390	6,780	120	42.5	11.3	13.5	18	19.8	491	81
5530567	265/70R22.5	140/137M	H/16	7.50	6.75	5,510	5,070	120	36.3	9.9	11.3	16	17.1	569	81
5530596	275/70R22.5	148/145M	H/16	8.20	7.50	6,940	6,395	130	37.8	10.9	-	17	17.5	549	81
5530559	11R24.5	149/146L	H/16	8.25	7.50	7,160	6,610	120	43.4	11.0	12.6	17	20.3	479	75

ST727 - Trailer Application

5530540	10R17.5	134/132L	H/16	7.50	6.75	4,675	4,410	115	33.9	9.8	11.4	16	15.8	615	75
5530566	215/75R17.5	135/133J	H/16	6.00	6.00	4,805	4,540	125	30.6	8.3	14.9	16	16.7	687	62
5530570	235/75R17.5	143/141J	J/18	6.75	6.75	6,005	5,675	125	31.5	9.3	10.3	16	14.5	659	62

ST717

5530438	9R17.5	129/127K	G/14	6.75	6.00	4,080	3,860	120	33.1	8.9	10.3	16	15.4	632	68
5530442	11R17.5	137/135K	G/14	8.25	7.50	5,050	4,805	105	36.4	11.7	12.6	17	16.7	582	68
5530426*	13/80R20	153/149K	J/18	9.00	8.50	8,050	7,160	110	41.2	12.5	14.5	19	19.2	506	68
5530429*	14/80R20	157K	J/18	10.00	9.00	9,090	-	120	43	13.5	-	20	19.8	491	68

* Includes tube and flap

AUTOTIRE SANTA FE S. A. DE C. V.
 R.F.C. ASF-891117-460
 TEL. 53396336 y 52574600
 Vasco de Quiroga No. 1674
 Col. Santa Fe C.P. 01210

Jon Jose Munoz Romero

ST909

SUMITOMO TIRES

Premium Series | Open Shoulder Drive

- Deep shoulder blocks for increased traction
- Significantly wider tread face offers more consistent retreadability
- Stone ejectors protect the casing from damage in the base of the tread groove
- Advanced Y-shape groove design improves stone ejection, traction, and contributes to long tire life



The new ST909 is Sumitomo's most advanced S-Tech Design drive tire for regional applications. With the latest design elements, the ST909 provides superior traction, more miles per 32nd and an extra wide tread face for increased vehicle stability. Exceptional performance and outstanding retreadability are strengths of the line.

Product Code	Tire Size	Service Desc.	Load Range / Ply	Pref. Rim Width (inch)	Min. Rim Width (inch)	Single Max. Load (lbs)	Dual Max. Load (lbs)	TP (psi)	Overall Diameter (inch)	Section Width (inch)	Min. Dual Spacing (inch)	Skid Depth (0/32")	Static Loaded Radius (inch)	Revs. Per Mile	Max. Speed (mph)
5533052	11R22.5	146/143L	H/16	8.25	7.50	6,610	6,005	120	42.1	11.1	12.5	28	19.8	493	75
5533059	11R24.5	149/146L	H/16	8.25	7.50	7,160	6,610	120	44.2	11.1	12.5	28	20.7	490	75
5533067	265/70R22.5	140/137M	H/16	7.50	6.75	5,510	5,070	120	36.9	9.9	11.3	26	17.3	562	81
5533075	295/75R22.5	148/143L	H/16	9.00	8.25	6,610	6,005	120	40.7	11.4	13.2	28	19.0	511	75

AUTOTIRE SANTA FE S. A. DE C. V.
R.F.C. ASF-991117-4E0
TEL. 53396336 y 52574600
Vasco de Quiroga No. 1674
Col. Santa Fe C.P. 01210

Juan Jose Horoz Ramirez

ST 938

SUMITOMO TIRES

Long Haul Series | Drive

- Extra deep 30/32nds tread depth promotes extended mileage wear.
- Closed-shoulder tread design provides long, even wear while providing excellent traction
- Heavy-duty casing provides stability and promotes retreading
- Stone drilling buttons protect casing for long life
- Increased base rubber dissipates heat while running at high speeds in long haul operations



The ST938 is a closed shoulder DEEP TREAD drive tire. Incorporating a collection of advanced features, the ST938 delivers remarkable mileage, excellent handling and dependable retreadability you've come to expect with Sumitomo casings.

ST938

Product Code	Tire Size	Service Desc.	Load Range / Ply	Prof. Rim Width (inch)	Min. Rim Width (inch)	Single Max Load (lbs)	Dual Max Load (lbs)	LP (PSI)	Overall Diameter (inch)	Section Width (inch)	Min. Dual Spacing (inch)	Sid. Depth (32nds)	Static Loaded Radius (inch)	Revs. Per Mile	Max. Speed (mph)
5532462	11R22.5	146/143L	H/16	8.25	7.50	6,610	6,005	120	42.3	11.3	12.5	30	19.7	491	75
5532459	11R24.5	149/146L	H/16	8.25	7.50	7,160	6,610	120	44.3	11.4	12.5	30	20.7	469	75
5532475	285/75R22.5	144/141L	G/14	9.00	8.25	6,175	5,675	110	40.8	11.5	13.2	30	19.0	508	75
5532478	285/75R24.5	144/141L	G/14	8.25	7.50	6,175	5,675	110	42.1	11.0	12.5	30	19.7	493	75

AUTOTIRE SANTA FE S. A. DE C. V.
 R.F.C. ASF-991117-4E0
 TEL. 53396336 y 52574600
 Vasco de Quiroga No. 1674
 Col. Santa Fe C.P. 01210

Juan José Muñoz Ramírez