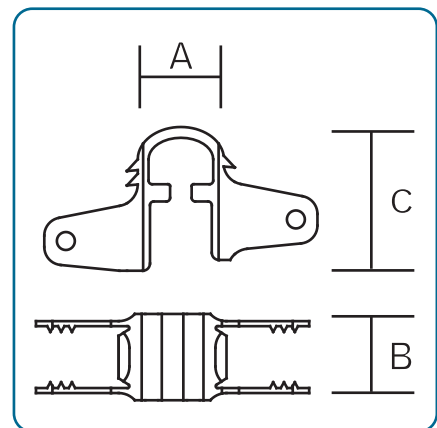
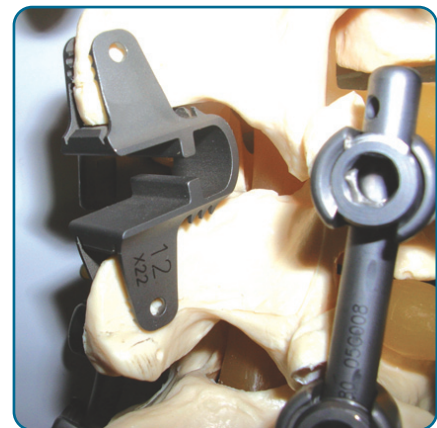
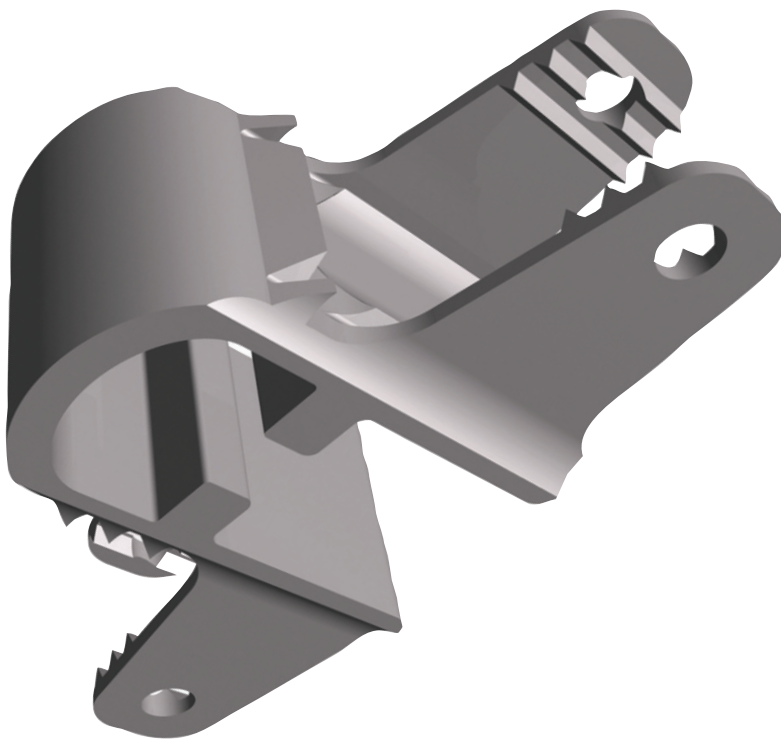


# Omega™ Fixation System

*Interspinous OMEGA is used for spine stabilization.*

It is positioned in the interspinous space restricting substantially but not completely the mobility.

Interspinous OMEGA reduces stresses at the posterior joints, prevents disc overloading and opens up the foramina.



- Vertebral instability with or without herniated disc
- Recurrent herniated disc
- Degenerative disc disease
- Lumbar stenosis associated with herniated disc
- Below or above arthrodesis
- Painful degeneration of the facet joints

- Quick, simple and risk free alternative to arthrodesis
- Reduces stresses at the posterior joints
- Prevents lumbar pain at adjacent level of arthrodesis
- Open up the foramina
- Prevent degeneration of adjacents disc related to the arthrodesis and secondary lumbar spinal stenosis

**Medyssey**

*At the Helm of Medical Technology™*

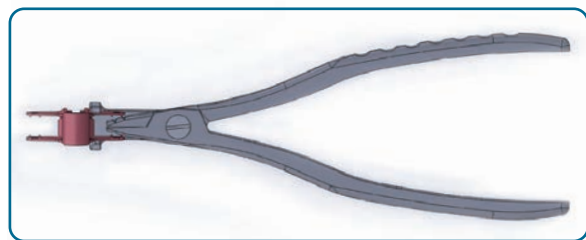
# Omega™ Instrument List



Omega Trial	8mm	NQTR-001
	9mm	NQTR-002
	10mm	NQTR-003
	11mm	NQTR-004
	12mm	NQTR-005
	13mm	NQTR-006
	14mm	NQTR-007



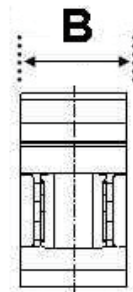
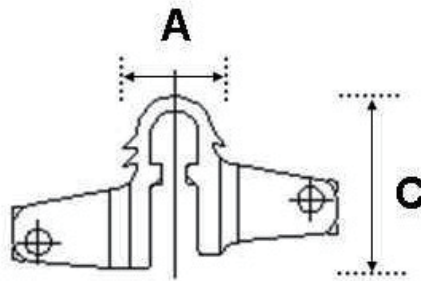
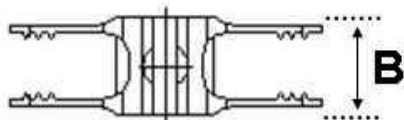
Omega Plier NQPL-001



Bending Plier NQDT-001

# Omega™ Implant List

A: Height B: Width C: Length



Product Code	Specification		
	Height (mm)	Width (mm)	Length (mm)
33-0920	9.0	12.0	20.0
33-0922	9.0	12.0	22.0
33-1020	10.0	12.0	20.0
33-1022	10.0	12.0	22.0
33-1220	12.0	12.0	20.0
33-1222	12.0	12.0	22.0
33-1420	14.0	12.0	20.0
33-1422	14.0	12.0	22.0

**Headquarters. / R&D Center.**

148, Sandan-Ro, 68 Beon-Gil, Uijeongbu-City, Gyeonggi-Do, 480-859, Republic of Korea  
 Tel. +82.31.879.0414 Fax. +82.31.867.0414

**Medyssey USA Inc.**

1550E Higging Rd, Suite 123, Elk Grove Village, IL 60007, USA  
 Tel. +1.847.427.0200 Fax. +1.888.518.9070